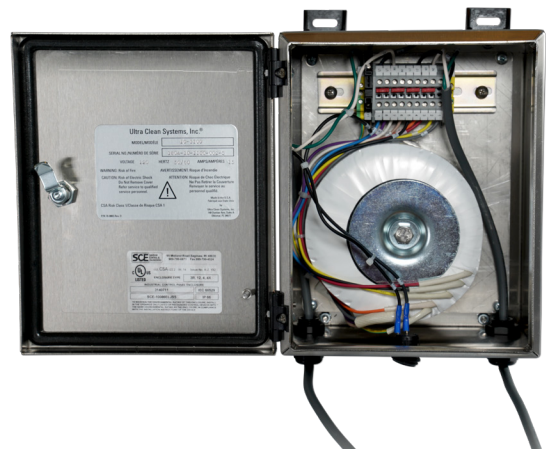


Ultra Clean Systems™

Torus 1100

The Torus 1100 toroid isolation transformer from Ultra Clean Systems is the perfect companion for the Model 1100 ultrasonic cleaning system. For those facilities with low limits on current leakage, the Torus 1100 will reduce leakage current to well below 100 μA (.1 mA) for increased safety for staff.

Leakage occurs when an electrical device connected to a facility feeds or leaks current from the device back into the facility. As an added safety benefit, the toroid design significantly reduces electromagnetic interference (EMI) to adjacent circuits or devices.



Standards and Codes

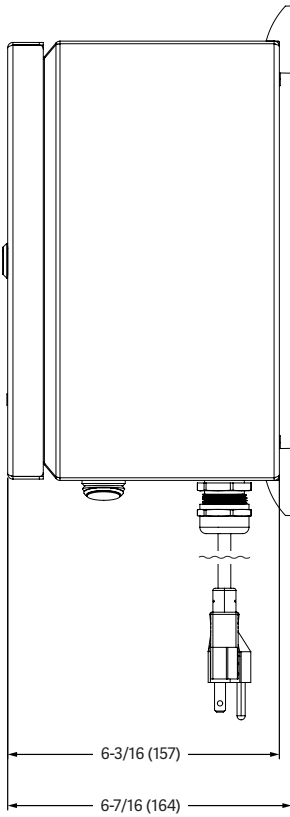
Torus 1100 meets the applicable requirements of the following:

- IP66 rating for ingress protection from dust and powerful water jets
- NEMA Type 12 and 13 enclosures
- UL Type 4x and 12
- CSA Type 4x and 12
- Hipot rating: 4,000 VAC primary to secondary to shield and mounting surface

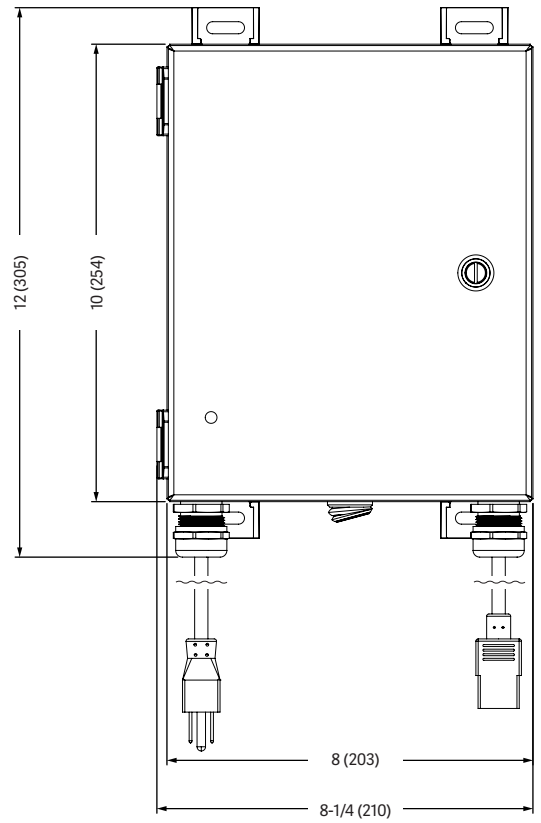
Key Features

- Type 304 stainless steel with a #3 polished finish
- 284°F (140°C) self-resetting thermal switch
- Transformer reduces stray fields for increased efficiency and reduced size (over EI transformer)
- Flux filter reduces stray fields
- Shield between primary and secondary
- Four slotted holes for mounting to a wall

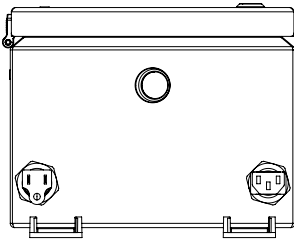
Side



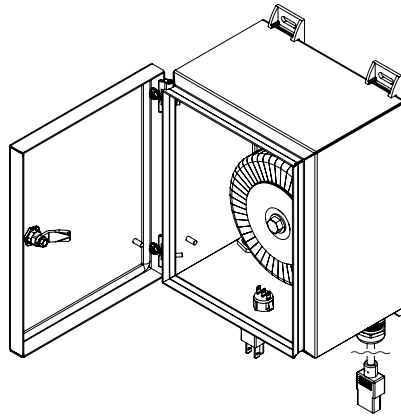
Front



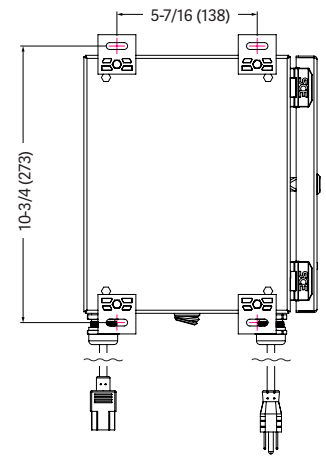
Bottom



Isometric



Back



Electrical Specifications

- Maximum power: 500 VA
- Input voltages: 120 VAC, 50/60 Hz
- Output voltages: 120 VAC @ 4.16 A
- Temperature rise: 122°F (50°C) TYP
- Operating amperage: 3.63 A
- Leakage: 24–26 μA
- Maximum operating temperature: 134°F (56.7°C) ambient room temperature
- Fused enclosure: 12.5-amp fuse
- Efficiency: 95% TYP at full load
- Earth leakage: ≤10 μA
- NEMA 5-15 plug and receptacle: 84" (2,134) each
- Electrical: 110 VAC

Copyright © 2020 Ultra Clean Systems, Inc.® • All rights reserved.

Ultra Clean Systems, Inc. • 110 Douglas Road East • Oldsmar, FL 34677

Info@UltraCleanSystems.com

P: 877-935-6624

F: 813-925-1044

www.UltraCleanSystems.com

SAM-03713b

Ultra Clean Systems, Inc.®